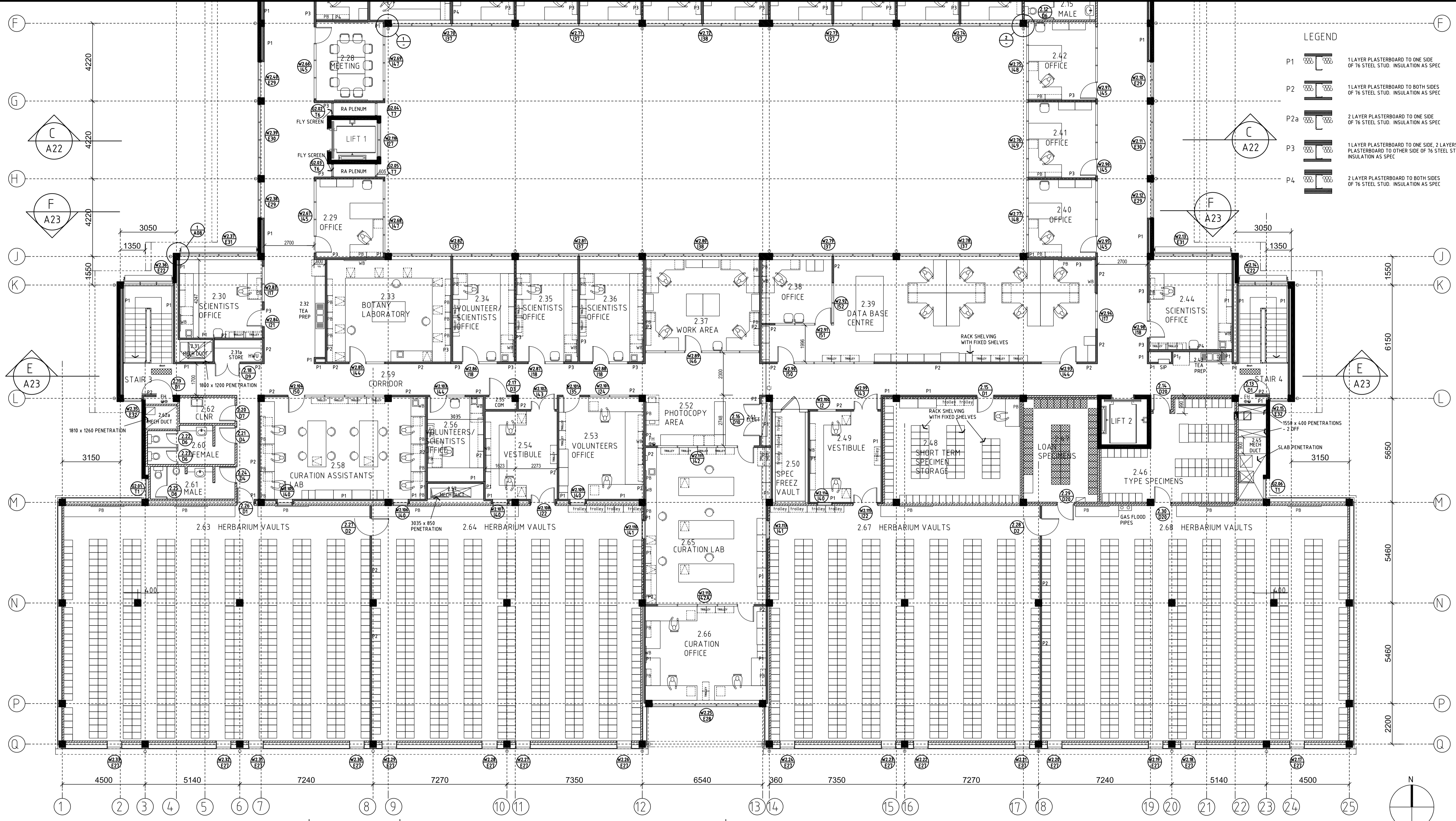


# LIBRARY

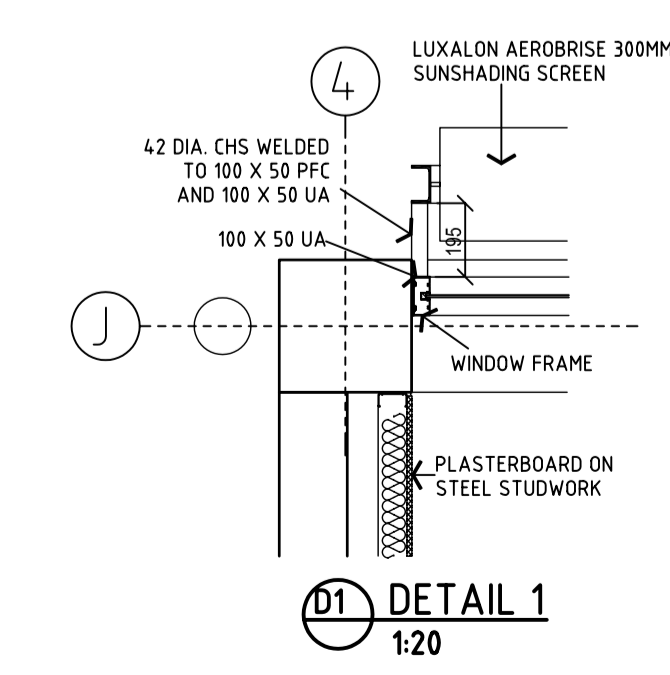
Department of Biodiversity,  
Conservation and Attractions

This PDF has been created for digital preservation. It may be used for research but is not suitable for other purposes. It may be superseded by a more current version or just be out-of-date and have no relevance to current situations.



**LEGEND**

P1		1 LAYER PLASTERBOARD TO ONE SIDE OF 76 STEEL STUD. INSULATION AS SPEC
P2		1 LAYER PLASTERBOARD TO BOTH SIDES OF 76 STEEL STUD. INSULATION AS SPEC
P2a		2 LAYER PLASTERBOARD TO ONE SIDE OF 76 STEEL STUD. INSULATION AS SPEC
P3		1 LAYER PLASTERBOARD TO ONE SIDE, 2 LAYERS PLASTERBOARD TO OTHER SIDE OF 76 STEEL STUD. INSULATION AS SPEC
P4		2 LAYER PLASTERBOARD TO BOTH SIDES OF 76 STEEL STUD. INSULATION AS SPEC



DOCUMENTATION BY:  
**FERGUSON ARCHITECTS**  
 31 MALCOLM STREET, WEST PERTH WA 6005

**Department of Housing and Works**  
 Government of Western Australia

99 Plain Street East Perth W.A. 6004  
 Tel (08) 9222 4666

**BIODIVERSITY SCIENCE CENTRE**  
 DEPARTMENT OF ENVIRONMENT AND CONSERVATION  
 SECOND FLOOR - SOUTH WING

DRAWN	LG	DESIGNED	NAME	REDUCTION
CHECKED	INITS	PRINCIPAL		0 2.5M
APPROVED	INITS	SIGNATURE		
SCALE	1:100	DATE	03/07/2007	DRAWING No.
DHW PROJ No.	9508	DHW FILE No.	FILE NO 2007/20845	<b>A08</b>

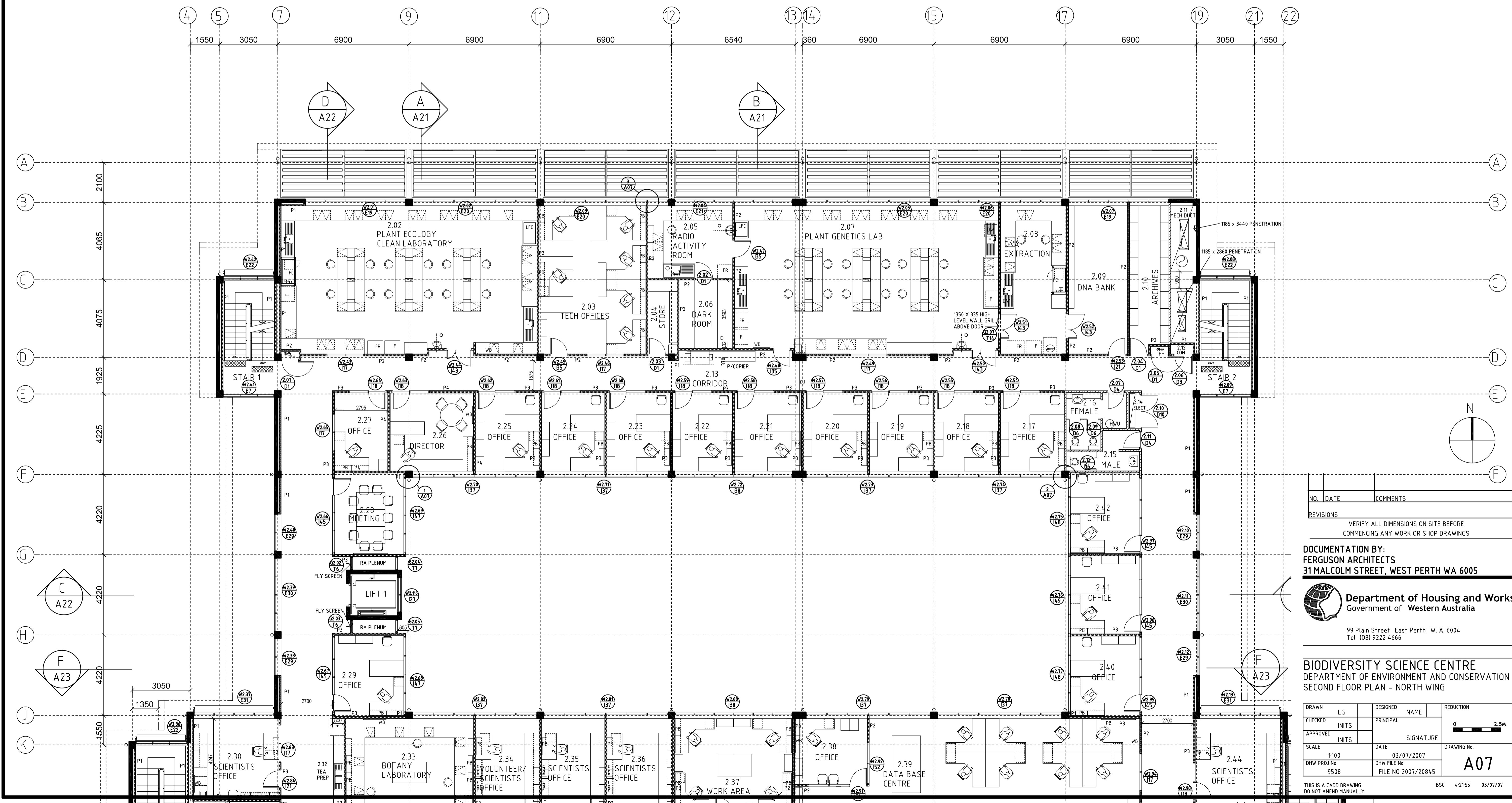
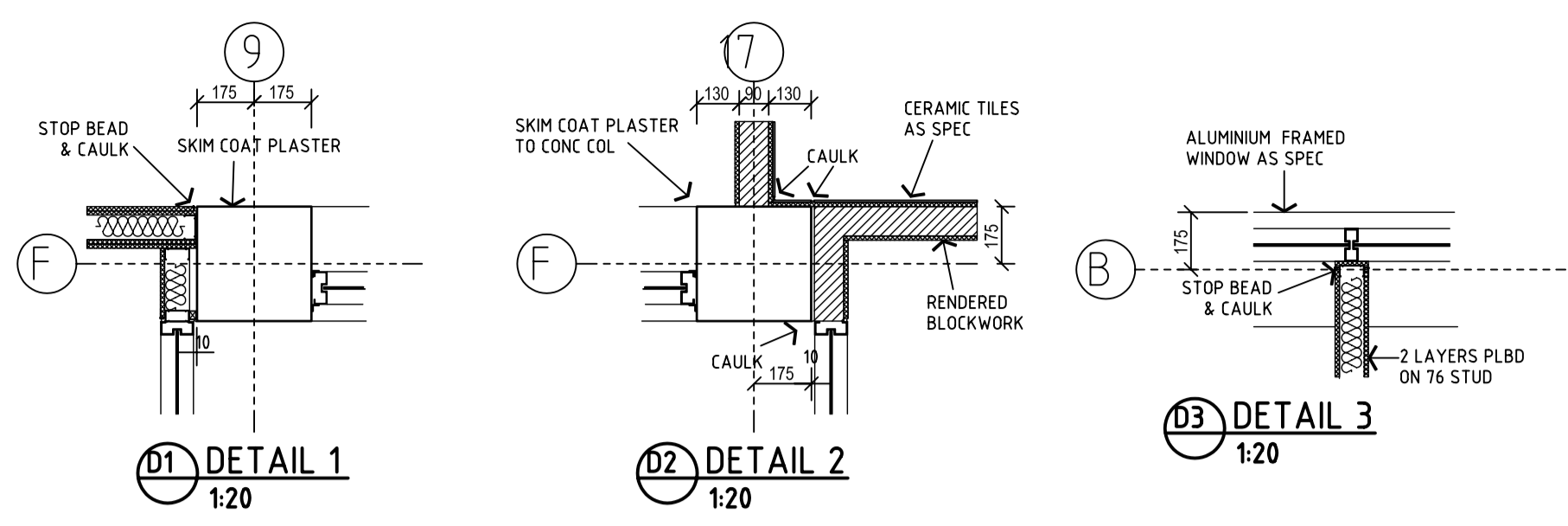
NO. DATE COMMENTS

REVISIONS

VERIFY ALL DIMENSIONS ON SITE BEFORE COMMENCING ANY WORK OR SHOP DRAWINGS

LEGEND

- P1 1 LAYER PLASTERBOARD TO ONE SIDE OF 76 STEEL STUD. INSULATION AS SPEC
- P2 1 LAYER PLASTERBOARD TO BOTH SIDES OF 76 STEEL STUD. INSULATION AS SPEC
- P2a 2 LAYER PLASTERBOARD TO ONE SIDE OF 76 STEEL STUD. INSULATION AS SPEC
- P3 1 LAYER PLASTERBOARD TO ONE SIDE, 2 LAYERS PLASTERBOARD TO OTHER SIDE OF 76 STEEL STUD. INSULATION AS SPEC
- P4 2 LAYER PLASTERBOARD TO BOTH SIDES OF 76 STEEL STUD. INSULATION AS SPEC



NO.	DATE	COMMENTS
REVISIONS		
VERIFY ALL DIMENSIONS ON SITE BEFORE COMMENCING ANY WORK OR SHOP DRAWINGS		

DOCUMENTATION BY:  
**FERGUSON ARCHITECTS**  
 31 MALCOLM STREET, WEST PERTH WA 6005



**BIODIVERSITY SCIENCE CENTRE**  
 DEPARTMENT OF ENVIRONMENT AND CONSERVATION  
 SECOND FLOOR PLAN - NORTH WING

DRAWN	LG	DESIGNED	NAME	REDUCTION
CHECKED	INITS	PRINCIPAL		0 2.5M
APPROVED	INITS	SIGNATURE		
SCALE	1:100	DATE	03/07/2007	DRAWING No.
DHW PROJ No.	9508	DHW FILE No.	FILE NO 2007/20845	<b>A07</b>

THIS IS A CADD DRAWING  
 DO NOT AMEND MANUALLY  
 BSC 4:2155 03/07/07