

NATURE RESERVE

RESERVE NO: 29303

GOVERNMENT GAZETTE  
Date Page No.

FILE NUMBER: 561/68

PURPOSE: Conservation of  
Flora and Fauna 6.9.68 2702

NAME:

CLASS (Land Act):

AREA: 194.2491 ha

VESTING: W.A.W.A. 9.5.80 1447

LOCATION NO(S): . Ningham 4180

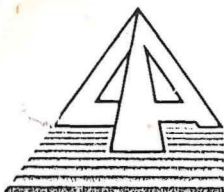
CLASSIFICATION:  
(Wildlife Act  
Section 12A)

LITHO: 67/80 B3

LOCAL AUTHORITY: MUKINBUDIN SHIRE

Notes:

20  
7/9



Department of  
**LAND ADMINISTRATION**

0.2 14666 3101  
016034 F 3102

Department of Conservation  
and Land Management  
23  
5 SEP 1989  
COMO WA

Your Ref:

Our Ref: 1900/984 CC:LW

Telephone: 323 1614 C. CARROLL  
Enquiries:

NATIONAL PARKS AND NATURE  
CONSERVATION AUTHORITY  
50 HAYMAN ROAD  
COMO WA 6152

DEPARTMENT OF CONSERVATION  
AND LAND MANAGEMENT  
7 JUN 1989  
PERTH, W.A.

Sent direct

Dear Sir

I advise for your information that Executive Council has:-

1. Issued an Order in Council revoking the Orders in Council whereby Reserve No's. 27384, 27387, 27452, 27837, 28047, 28313, 28317, 28318, 28319, 28471, 28940, 29012, 29018, 29019, 29020, 29021, 29022, 29023, 29025, 29026, 29027, 29303, 29322, 29326, 29576, 29589, 29680, 29810, 30430, 30469, 30516, 30903, 30969, 31561, 31742, 31743, 31744, 31799, 31908, 31909, 31913, 32129, 32130, 32131, 32549, 32776, 32783, 32864, 32865, 32993, and 32995 were vested in the Western Australian Wildlife Authority in trust for the purpose of "Conservation of Flora and Fauna" and approve the cancellation of the relevant Vesting Orders accordingly.
2. Issued a Proclamation classifying as of Class "A" Reserve No's.- 19784, 21424, 23029, 23085, 27384, 27386, 27387, 27452, 27769, 27837, 28047, 28313, 28317, 28318, 28319, 28471, 28669, 28759, 28846, 28940, 29012, 29018, 29019, 29020, 29021, 29022, 29023, 29025, 29026, 29027, 29303, 29322, 29326, 29576, 29589, 29680, 29810, 30430, 30469, 30516, 30903, 30969, 31561, 31742, 31743, 31744, 31799, 31908, 31909, 31913, 32129, 32130, 32131, 32549, 32776, 32783, 32864, 32865, 32993, 32995, 39379, 39404 and 39465 "Conservation of Flora and Fauna".
3. Issued an Order in Council directing that Class "A" Reserve No's. 27384, 27387, 27452, 27837, 28047, 28313, 28317, 28318, 28319, 28471, 28940, 29012, 29018, 29019, 29020, 29021, 29022, 29023, 29025, 29026, 29027, 29303, 29322, 29326, 29576, 29589, 29680, 29810, 30430, 30469, 30516, 30903, 30969, 31561, 31742, 31743, 31744, 31799, 31908, 31909, 31913, 32129, 32130, 32131, 32549, 32776, 32783, 32864, 32865, 32993, and 32995 shall vest in and be held by the National Parks and Nature Conservation Authority in trust for the purpose of "Conservation of Flora and Fauna".

1. file

2. LANDS CLERK.

.. /2.

29303

24  
BC

- 2 -

Notice to this effect was published in the Government Gazette of May 5, 1989 and I enclose the relevant Vesting Orders.

Would you please return to this Office the superseded Vesting Orders for cancellation.

Yours faithfully

*Clavell*

*Jr* P. COYNE  
MANAGER  
PROPERTY MANAGEMENT BRANCH  
LAND OPERATIONS DIVISION

June 2, 1989

Enc.

PM151LW1

CLERK, WOODVALE - F.Y.I.

*1.75*  
*1350*  
*2100*

with the advice and consent of Executive Council do by this my Proclamation classify as of Class "A" the reserve described in the schedule.

## Schedule

File Number; Reserve Number; Land Description; Area (hectares); Plan.

- 2106/66—33113; Fitzgerald Locations 1589, 1622 and 1623; 8859.5543; 392/80.
- 100/73—33828; Charlie Island; Indeterminable; Edel 1:250 000.
- 3270/06—33842; All those portions of land delineated and bordered red on Lands and Surveys Reserve Plan No. 35 including Hay Locations 788, 158, 216, 113, 110, 111, 142, 692 and 1724 to 1734 (inclusive) together with Plantagenet Locations 1598, 1209, 4367 and 3123 and excluding roads; 3825.4123; Parry Inlet NW & NE and Owingup SW 1:25 000.
- 2361/70—33854; Ninghan Location 4189; 19.5084; 65/80.
- 4281/74—34197; Jilbadji Location 936; 637.4387; 23/80.
- 3265/72—34257; Swan Island; about 29.0322; Yamp 1:250 000.
- 2043/67—34295; Roe Location 2688; 929.0621; 346/80.
- 5433/27—35217; Ninghan Locations 4206 and 4207; 70.1177; 65/80.
- 1375/28—35413; Avon Location 25238; 592.1195; Trayning 1:50 000 and Kodi Kodjin 1:50 000.
- 3736/11—35428; Plantagenet Locations 7412 and 7427; about 97.1726; Tambellup SE 1:25 000.
- 681/52—35621; Denmark Lot 352; 12.3176; Denmark 1:2 000 20.12 and 20.13.
- 3268/72—36056; Rocky Islets; about 40.9500; 422/80.
- 3624/78—36183; Esperance Location 1873; 357.5296; 402/80 and 403/80.
- 1472/78—36334; Pintharuka Lot 37; 61.5892; Pintharuka Townsite.
- 1604/69—36550; Plantagenet Location 7453; 174.0938; Two Peoples Bay NE 1:25 000.
- 3946/77—36608; Fitzgerald Location 1649; 80.6128; Dowak Townsite.
- 3379/980—36967; Kent Location 2042; 145.8710; 418/80.
- 2534/980—37054; Williams Location 15700; 16.3127; Congelin SW 1:25 000.
- 1817/70—37316; Victoria Location 10572; about 60.7028; Wongoondy NW 1:25 000.
- 1237/983—38296; Avon Location 28716; 143.9107; Norpa 1:50 000 and 24/80.
- 800/982—38334; Neridup Location 484; 407.8176; 400/80.
- 573/26—38415; Wellington Location 2642; 40.4686; Muja SE 1:25 000.
- 1747/983—38522; Yarding Lot 37; 69.2599; Yarding Townsite.
- 2788/983—38544; Neridup Location 495; 839.0247; 400/80.
- 3245/982—38545; Neridup Location 488; 1670.5074; 400/80.
- 4340/29—38574; Ninghan Location 4237; 92.1582; Beacon 1:50 000.
- 1108/17—38578; South Kumminin Lot 37 and Avon Location 19666; 81.2932; South Kumminin Townsite.
- 6850/10—38703; Amery Lot 31; 70.2161; Amery Townsite.
- 3097/983—38800; Yilgarn Location 1517; 66.3183; 54/80.
- 2496/28—39038; Ninghan Location 2790; 185.1051; Newcarlbeon NW 1:25 000.

Given under my hand and the Public Seal of Western Australia, at Perth, on 18 April 1989.

By His Excellency's Command,  
E. K. HALLAHAN,  
Minister for Lands.

GOD SAVE THE QUEEN !

## Land Act 1933

## PROCLAMATION

WESTERN AUSTRALIA } By His Excellency Professor Gordon Reid, Com-  
GORDON REID, } panion of the Order of Australia, Governor of the  
Governor. } State of Western Australia.  
[L.S.]

File No. 1900/984.

WHEREAS by section 31 (2) of the Land Act 1933, the governor may by Proclamation cancel the reservation of any land classified as of Class "B"; and whereas it is deemed expedient that the Reserves described and listed in the attached Schedule for the purpose of "Conservation of Flora and Fauna" should be cancelled: Now therefore, I, the Governor, with the advice and consent of Executive Council do by this my Proclamation cancel the reservation as of Class "B" the land described in the Schedule.

## Schedule

File numbers; Reserve numbers; Land Description; Area (hectares); Plan.

- 1389/67—29253; North, Middle and South Cervantes Islands; about 4000; Cervantes Regional.
- 1392/67—29256; Fisherman Islands—North and South Islands; about 5.2419; Greenhead and Hill River 1:50 000.
- 1393/67—29257; North, Middle and South Essex Rocks and other unnamed Rocks; about 7.2580; Boullanger and Hill River 1:50 000.
- 1394/67—29258; Outer Rocks; indeterminable; Boullanger and Hill River 1:50 000.
- 1395/67—29259; Milligan, Lipfert, Webb and Snag Islands, Drummond and Orton Rocks; about 6.3709; Greenhead and Lesueur 1:50 000.
- 1396/67—29260; Ronsard Rocks; indeterminable; Boullanger and Hill River 1:50 000.

Given under my hand and the Public Seal of Western Australia, at Perth, on 18 April 1989.

By His Excellency's Command,  
E. K. HALLAHAN,  
Minister for Lands.

GOD SAVE THE QUEEN !

## Land Act 1933

## PROCLAMATION

WESTERN AUSTRALIA } By His Excellency Professor Gordon Reid, Com-  
GORDON REID, } panion of the Order of Australia, Governor of the  
Governor. } State of Western Australia.  
[L.S.]

File No. 1900/984.

WHEREAS by Section 31 (1) (a) of the Land Act 1933, the Governor may by Proclamation and subject to such conditions as may be expressed therein classify as of Class "A" any such lands of the Crown reserved to Her Majesty for any purpose; and whereas it is deemed expedient that the reserves listed in the attached schedule for the purpose of "Conservation of Flora and Fauna" as described, should be classified as of Class "A": Now, therefore I, the Governor, with the advice and consent of Executive Council do by this my Proclamation classify as of Class "A" the reserve described in the attached schedule.

## Schedule

File numbers; Reserve numbers; Land Description; Area (hectares); Plan.

- 466/28—19784; Wellington Location 4003; 40.4737; Blackwood River S.W. and N.W. 1:25 000.
- 7129/23—21424; Avon Location 23508; 153.7805; Lomos N.W. 1:25 000.
- 5160/49—23029; Ninghan Location 1311; 161.5202; Mollerin 1:50 000.
- 1742/50—23085; Avon Location 28907; 78.2856; Yorkrakine S.E. 1:25 000.
- 3579/64—27384; Neridup Location 218; 604.7327; Burdett 1:50 000.
- 3584/64—27386; Neridup Location 271; 1417.2235; 402/80.
- 3585/64—27387; Neridup Location 286; 812.2041; Burdett 1:50 000.
- 140/63—27452; Avon Location 28192; 39.4973; Bruce Rock 1:50 000.

23.5.89  
I. Lands

LR

- 4812/01—27769; Kojonup Location 9155; 46.1657; Boscabel S.E. 1:25 000.
- 245/66—27837; Roe Locations 1120, 2142 and 2972; about 2154; 375/80.
- 479/61—28047; Roe Location 1401; 628.2922; Lake Liddelow 1:50 000.
- 2802/66—28313; Victoria Locations 9328 and 10803; 928.9585; 155/80.
- 2562/66—28317; Avon Location 24828; 26.4134; Quairading N.E. 1:25 000.
- 3089/66—28318; Avon Locations 14447, 25418 and 26575; 55.5102; Quairading N.E. 1:25 000.
- 3090/66—28319; Avon Location 13181; 40.4762; Quairading N.E. 1:25 000.
- 1267/64—28471; Kojonup Locations 8231, 8427 and 8428; about 253.7379; Boscabel N.E. 1:25 000.
- 1491/67—28669; Victoria Location 10955; 157.7338; Marchagee 1:50 000.
- 4013/66—28759; Roe Locations 971 and 1176; 397.2774; Magenta and Newdegate 1:50 000.
- 2922/67—28846; Esperance Location 1886; 56.0236; Bostock Swamp 1:50 000.
- 2714/46—28940; Jilbadji Locations 913, 969 and 975; 4377.3492; 24/80.
- 1607/66—29012; Esperance Location 1876; 1403.5257; Scadden 1:50 000.
- 177/68—29018; Roe Location 2601; 1659.7650; Lake Bidy 1:50 000.
- 178/68; 29019; Roe Location 2602; 3322.8966; Lake Bidy 1:50 000.
- 2162/67—29020; Roe Location 2603; 1527.6377; Lake Bryde 1:50 000.
- 2163/67—29021; Roe Location 2604; 107.0520; Lake Bryde 1:50 000.
- 2164/67—29022; Roe Location 2606; about 50.0000; Lake Bryde 1:50 000.
- 2165/67—29023; Roe Location 2607; 1528.8492; Lake Bryde 1:50 000.
- 2167/67—29025; Roe Location 2609; 206.9158; Burngup 1:50 000.
- 2168/67—29026; Roe Location 2874; 32.3445; Lake Bryde 1:50 000.
- 210/68—29027; Roe Locations 2487 and 2488; 1251.9721; 375/80.
- 1389/67—29253; North, Middle and South Cervantes Islands; about 4.0000; Cervantes Regional.
- 1392/67—29256; Fisherman Islands—North and South Islands; about 5.2419; Greenhead and Hill River 1:50 000.
- 1393/67—29257; North, Middle and South Essex Rocks and other unnamed rocks; about 7.2580; Boullanger and Hill River 1:50 000.
- 1394/67—29258; Outer Rocks; indeterminable; Boullanger and Hill River 1:50 000.
- 1395/67—29259; Milligan, Lipfert, Webb and Snag Islands, Drummond and Orton Rocks and adjacent unnamed rocks; about 6.3709; Greenhead and Lesueur 1:50 000.
- 1396/67—29260; Ronsard Rocks; indeterminable; Boullanger and Hill River 1:50 000.
- 222/67—29303; Ninghan Location 4180; about 194.2491; Blain 1:50 000.
- 570/17—29322; Avon Locations 6777, 13007, 15043 and 28696; 221.5533; Brookton 1:50 000.
- 2254/68—29326; Nugadong Lot 39; about 8.4352; Nugadong 1:2 000 20.19.
- 2541/68—29576; Roe Location 2753; 511.6416; Gulson 1:50 000.
- 4634/65—29589; Williams Location 15538; 40.4686; Yilliminning N.W. 1:25 000.
- 2456/25—29680; Red Lake Lots 33, 34, 37 and 38; 76.0624; Red Lake Townsite.
- 2516/67—29810; Roe Location 2949; about 1133.1198; Lake Liddelow 1:50 000.
- 2716/46—30430; Yilgarn Location 1477; 120.3257; Boodarockin 1:50 000.
- 1708/70—30469; Plantagenet Location 7532; 10.3792; Albany 1:2 000 13.14 and 14.14.
- 2712/46—30516; Avon Location 27093; 106.2198; Norpa 1:50 000.
- 11956/10—30903; Kwolyin Agricultural Area Lot 420; 11.4324; Pantapin N.E. 1:25 000.
- 2633/21—30969; Kwolyin Agricultural Area Lots 344 and 345; 283.0043; Kwolyin 1:50 000.
- 1187/61—31561; Denmark Estate Lot 346; 52.3056; Denmark Regional North.
- 1739/72—31742; Oldfield Location 1240; 1179.3830; 403/80.
- 1740/72—31743; Oldfield Locations 1122 and 1262; 95.6854; 403/80.
- 1741/72—31744; Oldfield Location 1123; 288.3031; 403/80.
- 2488/72—31799; Neridup Locations 360, 362 and 381; 3617.5380; Lilliecrona 1:50 000.
- 3263/72—31908; Shelter Island; about 10.0000; Torbay N.E. and S.E. 1:25 000.
- 3256/72—31909; Glasse Island; about 4.0000; 447/80.
- 4489/57—31913; Wellington Locations 4010, 4663 and 5141; 1161.2125; Blackwood River N.E. and N.W. 1:25 000.
- 412/73—32129; Neridup Location 337; 1751.5680; 424/80.
- 411/73—32130; Neridup Location 334; 2480.5458; 424/80.
- 413/73—32131; Neridup Location 342; 1057.6586; 424/80.
- 900/70—32549; Roe Locations 1229, 2976, 3046 and 3072; 3619.0744; Eclipse Lake 1:50 000.
- 1638/74—32776; Neridup Location 404; 4732.1055; 401/80.
- 1645/74—32783; Neridup Location 436; 7082.1326; 401/80.
- 1117/68—32864; Yilgarn Locations 1462 and 1463; 1436.9125; 67/80.
- 2332/988—32865; Yilgarn Location 1465; 579.1684; 67/80.
- 569/69—32993; Ninghan Location 4226; 43.5838; 54/80.
- 2535/72—32995; Jilbadji Location 928; 1886.0468; Holleaton 1:50 000.
- 3195/985—39379; Kulyaling Lots 59 and 60; 17.2617; Kulyaling Townsite.
- 1859/985—39404; Murray Location 1805; 184.3700; Mandurah 1:10 000 1.4 and 1.5 and 1:25 000 S.E.
- 1272/986—39465; Sussex Location 4557; 15.9522; Leeuwin N.W. 1:25 000.

Given under my hand and the Public Seal of Western Australia, at Perth, on 18 April 1989.

By His Excellency's Command,

E. K. HALLAHAN,  
Minister for Lands.

GOD SAVE THE QUEEN !

Land Act 1933  
PROCLAMATION

WESTERN AUSTRALIA } By His Excellency Professor Gordon Reid, Com-  
GORDON REID, } panion of the Order of Australia, Governor of the  
Governor. } State of Western Australia.  
[L.S.]

File No. 1900/984.

WHEREAS by section 31 (1) (a) of the Land Act 1933, the Governor may by Proclamation and subject to such conditions as may be expressed therein classify as of Class "A" any such lands of the Crown reserved to Her Majesty for any purpose; and whereas it is deemed expedient that the reserves listed in the attached schedule for the purpose of "Conservation of Flora and Fauna" as described, should be classified as of Class "A": now, therefore I, the Governor, with the advice and consent of Executive Council do by this my Proclamation classify as of Class "A" the reserve described in the attached schedule.

Schedule

File No.; Reserve No.; Land Description; Area (hectares);  
Plan.

- 6134/97—4313; Avon Location 24527; 43.7060; Quelagetting 1:50 000.
- 8947/96—8830; Avon Location 28513; 23.9117; Cunderdin 1:50 000.
- 3261/14—15564; Avon Location 9421; about 16.9968; Bencubbin 1:50 000.
- 2769/54—15570; Avon Location 20307; 40.4686; Lake Wallambin S.E. 1:25 000.
- 6370/14—16136; Torbay Agricultural Area Lot 183; 15.7777; Torbay N.W. and S.W. 1:25 000.

1979 at pages 3079-3080 and varied from time to time thereafter by inserting in the Schedule, after Part 15, the following Part—

“

Part 16

All that portion of land bounded by lines starting from the southernmost southwestern corner of Paraburdoo Lot 6, as surveyed and shown on Department of Land Administration Original Plan 16987, and extending generally northeasterly and generally easterly along southeastern and southern boundaries of that lot to the prolongation northerly of the eastern side of Robe Avenue; thence southerly to and along that side and onwards to a northwestern boundary of the southeastern severance of Windell Location 30; thence generally southwesterly, generally westerly, northwesterly and northeasterly along boundaries of that severance to a south-western side of Camp Road; thence generally northwesterly and generally southwesterly along sides of that road to an eastern side of Beasley Road and thence northerly and generally northwesterly along sides of that road to the starting point.

(Department of Land Administration Public Plans Paraburdoo Regional and Paraburdoo 2000 02.34, 03.34, 03.35, 04.34 and 04.35. ”

Given under my hand and the Seal of the State on 2 May 1989.

By His Excellency's Command,

KAY HALLAHAN,  
Minister for Local Government.

GOD SAVE THE QUEEN !

At a Meeting of the Executive Council held in the Executive Council Chamber, at Perth, this 18th day of April 1989, the following Orders in Council were authorised to be issued.

Child Welfare Act 1947

ORDER IN COUNCIL

WHEREAS by section 19 (2) (a) of the Child Welfare Act 1947 it is provided that the Governor may appoint such persons, male or female, as he may think fit, to be members of any particular Children's Court and may determine the respective seniorities of such members and whereas by section 19 (1) (b) (ii) of the said Act the Governor may amend, vary or revoke any such appointment: Now therefore His Excellency the Governor by and with the advice and consent of the Executive Council hereby appoints the person named in the First Schedule hereto to be a member of the Children's Court at the place mentioned and hereby revokes the appointment of the persons named in the Second Schedule hereto to be members of the Children's Court at the place mentioned.

First Schedule

Newman—Rhonda Diane Chapman.

Second Schedule

Newman—

Peter John Alfred Collins.  
Elizabeth Margaret Jayes.

G. PEARCE,  
Clerk of the Council.

Child Welfare Act 1947

ORDER IN COUNCIL

WHEREAS by section 19 (2) (a) of the Child Welfare Act 1947 it is provided that the Governor may appoint such persons, male or female, as he may think fit, to be members of any particular Children's Court and may determine the respective seniorities of such members, and whereas by section 19 (1) (b) (ii) of the said Act the Governor may amend, vary or revoke any such appointment: Now therefore His Excellency the Governor by and with the advice and consent of the Executive Council hereby revokes the appointment of the person named in the Schedule hereto as a member of the Children's Court at the place mentioned.

Schedule

Norseman—Betty Logan.

G. PEARCE,  
Clerk of the Council.

Child Welfare Act 1947

ORDER IN COUNCIL

WHEREAS by section 19 (2) (a) of the Child Welfare Act 1947 it is provided that the Governor may appoint such persons, male or female, as he may think fit, to be members of any particular Children's Court and may determine the respective seniorities of such members and whereas by section 19 (1) (b) (ii) of the said Act the Governor may amend, vary or revoke any such appointment: Now therefore His Excellency the Governor by and with the advice and consent of the Executive Council hereby appoints the persons named in the First Schedule hereto to be members of the Children's Court at the place mentioned and hereby revokes the appointment of the persons named in the Second Schedule hereto to be members of the Children's Court at the place mentioned.

First Schedule

Onslow—

Maisie Hyland.  
John Hayes.  
Elsie Lavinia Munro.

Second Schedule

Onslow—

Alec Francis Tucker.  
Kevin Zanetti.

G. PEARCE,  
Clerk of the Council.

Land Act 1933

ORDERS IN COUNCIL

WHEREAS by section 33 of the Land Act 1933, it is made lawful for the Governor to direct that any Reserve shall vest in and be held by any person or persons to be named in the order in trust for the like or other public purposes to be specified in such order: And whereas it is deemed expedient as follows—

File No. 1900/984.—That Class “A” Reserves 17946, 18340, 18342, 18381, 18950, 19036, 19093, 19916, 19118, 19650, 20262, 20479, 20482, 20834, 21056, 21153, 21230, 21830, 21981, 22792, 23008, 23141, 23156, 23171, 23316, 23325, 23566, 23665, 23934, 24532, 24534, 24677, 24835, 24891, 24912, 24944, 24979, 25112, 25546, 25809, 26196, 26266, 26403, 26508, 26564, 26569, 26661, 26687, 26792, 26809, 26819, 27108, 27146, 27219, 27283 and 27354, should vest in and be held by the National Parks and Nature Conservation Authority in trust for the purpose of “Conservation of Flora and Fauna”.

File No. 1900/984.—That Class “A” Reserves 27384, 27387, 27452, 27837, 28047, 28313, 28317, 28318, 28319, 28471, 28940, 29012, 29018, 29019, 29020, 29021, 29022, 29023, 29025, 29026, 29027, 29253, 29256, 29257, 29258, 29259, 29260, 29303, 29322, 29326, 29576, 29589, 29680, 29810, 30430, 30469, 30516, 30903, 30969, 31561, 31742, 31743, 31744, 31799, 31908, 31909, 31913, 32129, 32130, 32131, 32549, 32776, 32783, 32864, 32865, 32993 and 32995, should vest in and be held by the National Parks and Nature Conservation Authority in trust for the purpose of “Conservation of Flora and Fauna”.

File No. 1900/984.—That Class “A” Reserves 33113, 33828, 33842, 33854, 34197, 34257, 34295, 35217, 35413, 35428, 35621, 36056, 36183, 36334, 36550, 36608, 36967, 37054, 37316, 38296, 38334, 38415, 38522, 38544, 38545, 38574, 38578, 38703, 38800 and 39038, should vest in and be held by the National Parks and Nature Conservation Authority in trust for the purpose of “Conservation of Flora and Fauna”.

File No. 2745/21.—That Class “A” Reserve No. 17826 (Perth Lots S35, 66, 461, 732 and portion of Lot 567) should vest in and be held by the City of Perth in trust for the purpose of “Park Gardens and Parking”.

File No. 169/64.—That Class “A” Reserve No. 27139 (Plantagenet Location 5961) should vest in and be held by the National Parks and Nature Conservation Authority in trust for the purpose of “Conservation of Flora and Fauna”.

File No. 296/61.—That Class “A” Reserve No. 28167 (Peel Estate Lots 26 and 442) should vest in and be held by the National Parks and Nature Conservation Authority in trust for the purpose of “Conservation of Flora and Fauna”.

File No. 1875/960.—And whereas by Order in Council dated 11 May, 1977, Reserve No. 25766 was vested in the Shire of Kalamunda in trust for the purpose of "Municipal Purposes".

File No. 7917/12.—And whereas by Order in Council dated 1 February, 1962, Reserve No. 26205 was vested in the Minister for Native Welfare in trust for the purpose of "Native Housing".

File No. 169/64.—And whereas by Order in Council dated 24 February, 1966, Reserve 27139 was vested in the Fauna Protection Advisory Committee of Western Australia in trust for the purpose of "Conservation of Flora and Fauna".

File No. 296/61.—And whereas by Order in Council dated 29 June, 1966, Reserve 28167 was vested in the Fauna Protection Advisory Committee of Western Australia in trust for the purpose of "Conservation of Flora and Fauna".

File No. 1060/73.—And whereas by Order in Council dated 16 May, 1973, Reserve 32017 was vested in the Minister of Water Supply Sewerage and Drainage in trust for the purpose of "Water Supply".

File No. 1528/79.—And whereas by Order in Council dated 20 February, 1980, Reserve 36519 was vested in the Western Australian Wildlife Authority in trust for the purpose of "Conservation of Flora and Fauna".

File No. 2592/79.—And whereas by Order in Council dated 29 October, 1980, Reserve 36943 was vested in the City of Stirling in trust for the purpose of "Recreation".

File No. 2831/982.—And whereas by Order in Council dated 30 September, 1983, Reserve 38477 was vested in the Shire of Wyndham-East Kimberley in trust for the purpose of "Aged Persons Homes".

File No. 2056/985.—And whereas by Order in Council dated 27 August, 1985, Reserve 39189 was vested in the Shire of Kent in trust for the purpose of "Recreation (Go Kart Racing)" with power, subject to the approval in writing of the Minister for Lands being first obtained, to lease the whole or any portion thereof for any term not exceeding twenty one (21) years from the date of the lease.

File No. 1900/984.—And whereas by Order in Council issued on dates specified in the attached Schedule the respective Reserves were vested in the Western Australian Wildlife Authority in trust for the purpose of "Conservation of Flora and Fauna".

Schedule Reserve Nos; Date of Order in Council.

Table with 2 columns: Reserve Nos, Date of Order in Council. Rows include 4313 (Nov 21, 1980), 8830 (Nov 5, 1975), 15564 (Aug 2, 1983), 15570 (May 1, 1980), 16136 (Apr 29, 1981), 16235 (Jul 5, 1983), 16293 (Mar 6, 1984), 16346 (May 24, 1978), 16412 (May 28, 1980), 16493 (Oct 29, 1980), 16683 (Jun 21, 1983), 17055 (Apr 8, 1970), 17257 (Apr 8, 1970), 17771 (May 31, 1983), 17778 (Jun 29, 1981).

File No. 1900/984.—And whereas by Orders in Council issued on dates specified in the attached Schedule the respective Reserves were vested in the Western Australian Wildlife Authority in trust for the purpose of "Conservation of Flora and Fauna".

Schedule Reserve Nos; Order in Council Date.

Table with 2 columns: Reserve Nos, Order in Council Date. Rows include 27384 (Aug 3, 1981), 27387 (Jul 5, 1983), 27452 (Sep 18, 1979), 27837 (Jul 11, 1973), 28047 (Aug 26, 1981), 28313 (Jul 9, 1980), 28317 (May 1, 1980), 28318 (May 13, 1980), 28319 (May 13, 1980), 28471 (Jan 26, 1972), 28940 (Nov 8, 1983).

Table with 2 columns: Reserve Nos, Date. Rows include 29012 (Aug 2, 1983), 29018 (Feb 4, 1970), 29019 (Feb 4, 1970), 29020 (Jan 14, 1970), 29021 (Feb 4, 1970), 29022 (Jan 14, 1970), 29023 (Jan 14, 1970), 29025 (Feb 4, 1970), 29026 (Feb 4, 1970), 29027 (Nov 21, 1970), 29253 (Nov 9, 1978), 29256 (Nov 9, 1978), 29257 (Nov 9, 1978), 29258 (Nov 9, 1978), 29259 (Nov 9, 1978), 29260 (Nov 9, 1978), 29303 (May 1, 1980), 29322 (May 1, 1984), 29326 (Oct 1, 1980), 29576 (Oct 25, 1983), 29589 (Jul 5, 1983), 29680 (Apr 15, 1971), 29810 (Nov 12, 1969), 30430 (Jul 9, 1980), 30469 (Jul 19, 1983), 30516 (Jul 5, 1983), 30903 (Aug 8, 1979), 30969 (Sep 5, 1979), 31561 (Aug 2, 1983), 31742 (Aug 30, 1983), 31743 (Jun 29, 1981), 31744 (Jul 5, 1983), 31799 (May 16, 1983), 31908 (Mar 21, 1973), 31909 (Mar 21, 1973), 31913 (Mar 6, 1984), 32129 (Sep 30, 1983), 32130 (Sep 30, 1983), 32131 (Jul 19, 1983), 32549 (Nov 21, 1980), 32776 (Jul 17, 1974), 32783 (Jul 17, 1974), 32864 (May 3, 1983), 32865 (May 3, 1983), 32993 (May 3, 1983), 32995 (Nov 27, 1974).

File No. 1900/984.—And whereas by Orders in Council issued on dates specified in the attached schedule the respective Reserves were vested in the Western Australian Wildlife Authority in trust for the purpose of "Conservation of Flora and Fauna".

Schedule Reserve Nos; Date of Order in Council.

Table with 2 columns: Reserve Nos, Date of Order in Council. Rows include 33113 (Jan 22, 1975), 33828 (Jan 14, 1976), 33842 (Jan 28, 1976), 33854 (Jan 28, 1976), 34197 (Aug 11, 1976), 34257 (Sep 8, 1976), 34295 (Aug 3, 1981), 35217 (Aug 3, 1978), 35413 (Jul 5, 1978), 35428 (Jul 19, 1983), 35621 (Aug 2, 1983), 36056 (May 2, 1979), 36183 (Jul 11, 1979), 36334 (Oct 17, 1979), 36550 (Mar 5, 1980), 36608 (Feb 18, 1981), 36967 (Nov 14, 1980), 37054 (Aug 2, 1983), 37316 (Aug 3, 1981).

## NAMING OF RESERVES

Department of Land Administration,  
Perth, 19 December 1986.

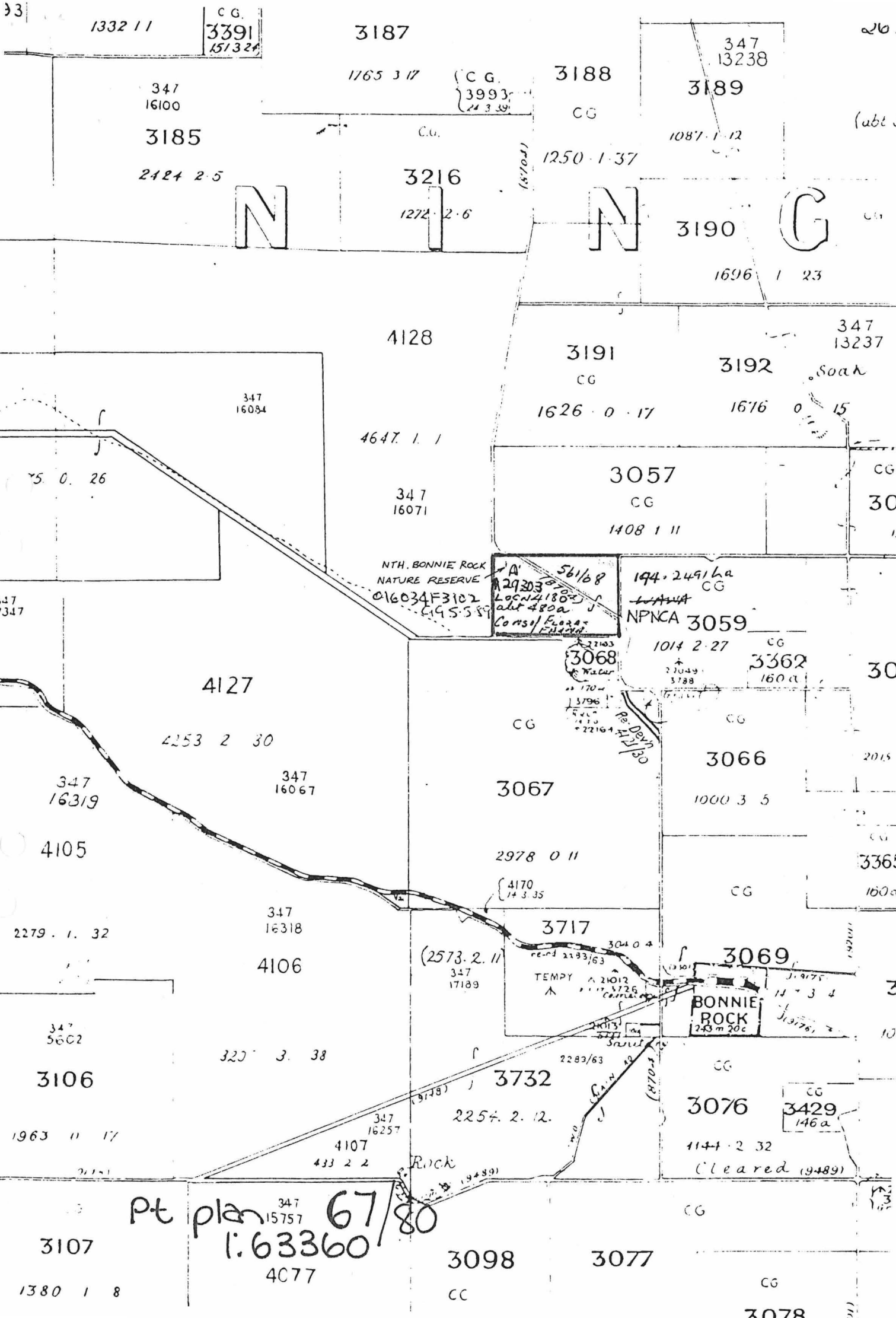
Corres. No. 3583/981.

IT is hereby notified for general information that the Reserves listed in the Schedule hereunder are by this Notice, named in accordance with the said Schedule.

- | Reserve No; Reserve Name; Public Plan                                  |  |
|--|--|
| 22262; Wundowlin Nature Reserve; Mukinbudin 1:50 000.                  | 36063; Strange Road Nature Reserve; Luptons S.W., S.E.                               |
| 31715; Barbalin Nature Reserve; Mukinbudin 1:50 000.                   | 19740; Bartram Nature Reserve; Luptons S.E.  |
| 13051; Calcing Nature Reserve; Calcing 1:50 000.                       | 36519; Pingeculling Nature Reserve; Brookton S.W.                                    |
| 30705; South Wilgoyne Nature Reserve; Calcing 1:50 000.                | 36742; Brookton Highway Nature Reserve; Luptons S.E.                                 |
| 31629; Cookinbin Nature Reserve; Nungarin 1:50 000.                    | 8830; Bulgin Nature Reserve; Cunderdin 1:50 000.                                     |
| 23835; Karloning Nature Reserve; Karloning 1:50 000.                   | 10313; Noonying Nature Reserve; 26C/40.  |
| 29303; North Bonnie Rock Nature Reserve; Blain 1:50 000.               | 23566; Tammin Nature Reserve; 26C/40.  |
| 20530; Portion of Joverdine Nature Reserve; Bonnie Rock 1:50 000.      | 17732; North Bungulla Nature Reserve; Kellerberrin 1:50 000.                         |
| 37034; Portion of Joverdine Nature Reserve; Bonnie Rock 1:50 000.      | 4667; Lundy Nature Reserve; 26B/40.  |
| 36526; Lake Cronin Nature Reserve; Lake Cronin 1:50 000.               | 24831; Wyola Nature Reserve; 26C/40.   |
| A17186; Walyormouring Nature Reserve; Botherling S.W. & S.E.           | 28289; Moulien Nature Reserve; 3B/40.  |
| A4313; Eaton Nature Reserve; Quelagetting 1:50 000.                    | 33990; Bungulla Nature Reserve; Bungulla Townsite.                                   |
| 14510; Hindmarsh Nature Reserve; Quelagetting 1:50 000.                | 21153; Morranoppin Nature Reserve; Doodlakine 1:50 000.                              |
| A9228; Moonijin Nature Reserve; Cadoux S.E.                            | 22921; Durokoppin Nature Reserve; Kodjikooin 1:50 000.                               |
| 15794; Cullimbin Nature Reserve; Cadoux N.E.                           | 12329; North Bandee Nature Reserve; Kodjikooin 1:50 000.                             |
| 10991; Carrimbin Rock Nature Reserve; 33/80.                           | 24897; Mournucking Nature Reserve; Kellerberrin 1:50 000.                            |
| 21719; Wallambin Nature Reserve; Yelbeni 1:50 000.                     | 25112; Portion of Glenluce Nature Reserve; Pantapin 1:50 000.                        |
| 10992; Elashgin Nature Reserve; Bulagin 1:50 000.                      | 26266; Portion of Glenluce Nature Reserve; Pantapin 1:50 000.                        |
| 23887; Wyalkatchem Nature Reserve; Wyalkatchem 1:10 000 5.6 & 5.7.     | 30903; Craig Nature Reserve; Pantapin 1:50 000.                                      |
| 34385; Nembudding Nature Reserve; Yelbeni 1:50 000.                    | 5456; Dead Mans Swamp Nature Reserve; Hillman S.E. Moodiarup N.E.                    |
| 15386; Yelbeni Nature Reserve; Yelbeni Townsite.                       | 25904; Boolading Nature Reserve; Boolading Townsite.                                 |
| 35413; Walcancobbing Nature Reserve; Trayning 1:50 000.                | 16904; Hillman Nature Reserve; Hillman N.W.  |
| 15570; East Wallambin Nature Reserve; Lake Wallambin S.E.              | 21521; Williams Nature Reserve; Williams N.E.  |
| 20986; Marindo Nature Reserve; Beacon 1:50 000.                        | 29313; Borgey Nature Reserve; Highbury N.W. Williams N.E.                            |
| 22457; North Beacon Nature Reserve; Beacon 1:50 000.                   | 32448; Moorapulling Nature Reserve; Dwarda S.W.                                      |
| 26911; Beebeegnying Nature Reserve; Gabbing 1:50 000.                  | 30563; Moomagul Nature Reserve; Dattening N.W.                                       |
| 17923; Mungarri Nature Reserve; Beacon 1:50 000.                       | 19784; Haddleton Springs Nature Reserve; Blackwood River N.W., S.W.                  |
| 24539; Herndermuning Nature Reserve; Beacon 1:50 000.                  | 29322; Weam Nature Reserve; Brookton S.W., N.W.                                      |
| 35679; Danjinning Nature Reserve; Karloning 1:50 000.                  | 31913; Haddleton Nature Reserve; Blackwood River N.W., N.E.                          |
| 12689; Wiacubbing Nature Reserve; Bencubin 1:50 000.                   | 13373; Benjabbering Nature Reserve; Benjabbering Townsite.                           |
| 26687; North Wallambin Nature Reserve; Lake Wallambin S.E.             | 15895; Folly Nature Reserve; Yorkrakine 1:50 000.                                    |
| 24789; Lake Champion Nature Reserve; 35/80.                            | 14920; Dingo Well Nature Reserve; Wyalkatchem 1:50 000.                              |
| 23339; Elachbutting Nature Reserve; 67/80.                             | 13242; Gabwotting Nature Reserve; Wyalkatchem 1:50 000.                              |
| 23338; Geeraning Nature Reserve; 67/80.                                | A23756; Portion of Kooljerrenup Nature Reserve; Lake Clifton N.E.                    |
| 16235; Carrabin Nature Reserve; Carrabin Townsite.                     | 36126; Portion of Kooljerrenup Nature Reserve; Lake Clifton N.E.                     |
| 1431; Baladjie Nature Reserve; 53/80, 54/80.                           | B4990; Portion of Austin Bay Nature Reserve; Mandurah 1:10 000, 2.7.                 |
| A35732; Walyahmoning Nature Reserve; Waroona Townsite.                 | B24036; Portion of Austin Bay Nature Reserve; Pinjarra N.W.                          |
| 24465; Yanneymooning Nature Reserve; 54/80.                            | 28087; Portion of Austin Bay Nature Reserve; Mandurah S.E., N.E. Pinjarra S.W., N.W. |
| 25194; Anderson Lake Nature Reserve; Toolbrunup S.E.                   | 24739; McLarty Nature Reserve; Mandurah 1:10 000, 1.5.                               |
| 26162; Three Swamps Nature Reserve; Toolbrunup S.E.                    | 33749; Boodalan Nature Reserve; Mandurah 1:10 000, 2.7.                              |
| 30526; East Balicup Nature Reserve; Toolbrunup S.W.                    | 16907; Nine Mile Lake Nature Reserve; Pinjarra S.W.                                  |
| 26381; McDougall Nature Reserve; Merilup S.E.                          | 22199; Buller Nature Reserve; Hamel N.W., S.W.                                       |
| 9237; Portion of Snake Gully Nature Reserve; 88/80, 89/80.             | 12049; Harvey Flats Nature Reserve; Hamel S.W.                                       |
| 10351; Portion of Snake Gully Nature Reserve; 88/80, 89/80.            | 12632; Riverdale Nature Reserve; Hamel S.W.  |
| 36448; Portion of Snake Gully Nature Reserve; 89/80.                   | 24472; Crampton Nature Reserve; Lake Preston N.E., N.W.                              |
| 27283; Goodlands Nature Reserve; Kalannie 1:50 000.                    | 22797; Falls Brook Nature Reserve; Harvey N.E. Tallanalla N.W.                       |
| 26259; Carlyarn Nature Reserve; Karrakutta 1:50 000.                   | 34811; Benger Swamp Nature Reserve; Harvey S.W.                                      |
| 18381; Sawyers Nature Reserve; Kalannie 1:50 000.                      | 1740; Wild Horse Swamp Nature Reserve; Blackwood River S.E.                          |
| 19650; Old Store Nature Reserve; Kalannie 1:50 000.                    | 24917; Tawerring Nature Reserve; Moddiarup N.W.                                      |
| 33803; Milyu Nature Reserve; Perth 1:2 000 12.21, 12.22, 13.21, 13.22. | 30668; Arthur River Nature Reserve; East Arthur N.W. Hillman N.E.                    |
| 16867; Dukin Nature Reserve; Koorda S.E.                               | 7349; Jandabup Nature Reserve; Swan 1:10 000, 3.2.                                   |
| 24838; Walk Walkin Nature Reserve; Koorda S.W.                         | A31048; Portion of Lake Joondalup Nature Reserve; Swan 1:10 000, 2.2.                |
| 9281; Portion of Warramuggan Nature Reserve; Koorda S.E.               | A21708; Portion of Lake Joondalup Nature Reserve; Swan 1:10 000, 2.2.                |
| 16040; Portion of Warramuggan Nature Reserve; Koorda S.E.              | 30809; Woodvale Nature Reserve; Swan 1:2 000, 8.03, 8.04, 9.04.                      |
| 4670; Nembudding South Nature Reserve; Yelbeni S.W.                    | 25919; Copley Dale Nature Reserve; Swan 1:10 000, 6.3.                               |
| 12398; Lake Mears Nature Reserve; Quairading S.W.                      | 30667; Beechina Nature Reserve; 3B/40.   |

56  
 y Rezardo *[Signature]* 2 LAND CLERK  
 Please ensure that title of list is correct

*[Handwritten]* Done of  
 13.10.86



1332 11

CG  
3391  
151324

3187

1765 3 17

CG  
3993  
24 3 34

3188

CG

347  
13238

3189

1087 1 12

347  
16100

3185

2424 2 5

3216

1272 2 6

1250 1 37

3190

1696 1 23

4128

3191

CG

1626 0 17

3192

1676 0 15

347  
13237

Soak

347  
16084

4647 1 1

347  
16071

3057

CG

1408 1 11

CG

3058

151

NTH. BONNIE ROCK  
NATURE RESERVE

016034F3102  
C195589

56168  
29303  
Locn 4180  
alt 480a  
Consil Flora  
Eilat

194.2491 ha  
CG

NPNCA 3059

1014 2 27

CG

3362

160 a

3060

4127

4253 2 30

347  
16067

3067

2978 0 11

3066

1000 3 5

3061

2015

347  
17347

75 0 26

347  
16319

4105

2279 1 32

347  
5602

3106

1963 1 17

320 3 38

4106

347  
16318

(2573.2.11)  
347  
17189

3717

TEMPY A 21012  
A 3726

3069

BONNIE  
ROCK  
243 m 20c

3076

CG  
3429  
146 a

1144 2 32

(cleared 19489)

3062

160 a

3063

10

Pt plan 67/80  
1.63360  
4077

3107

1380 1 8

3098

CG

3077

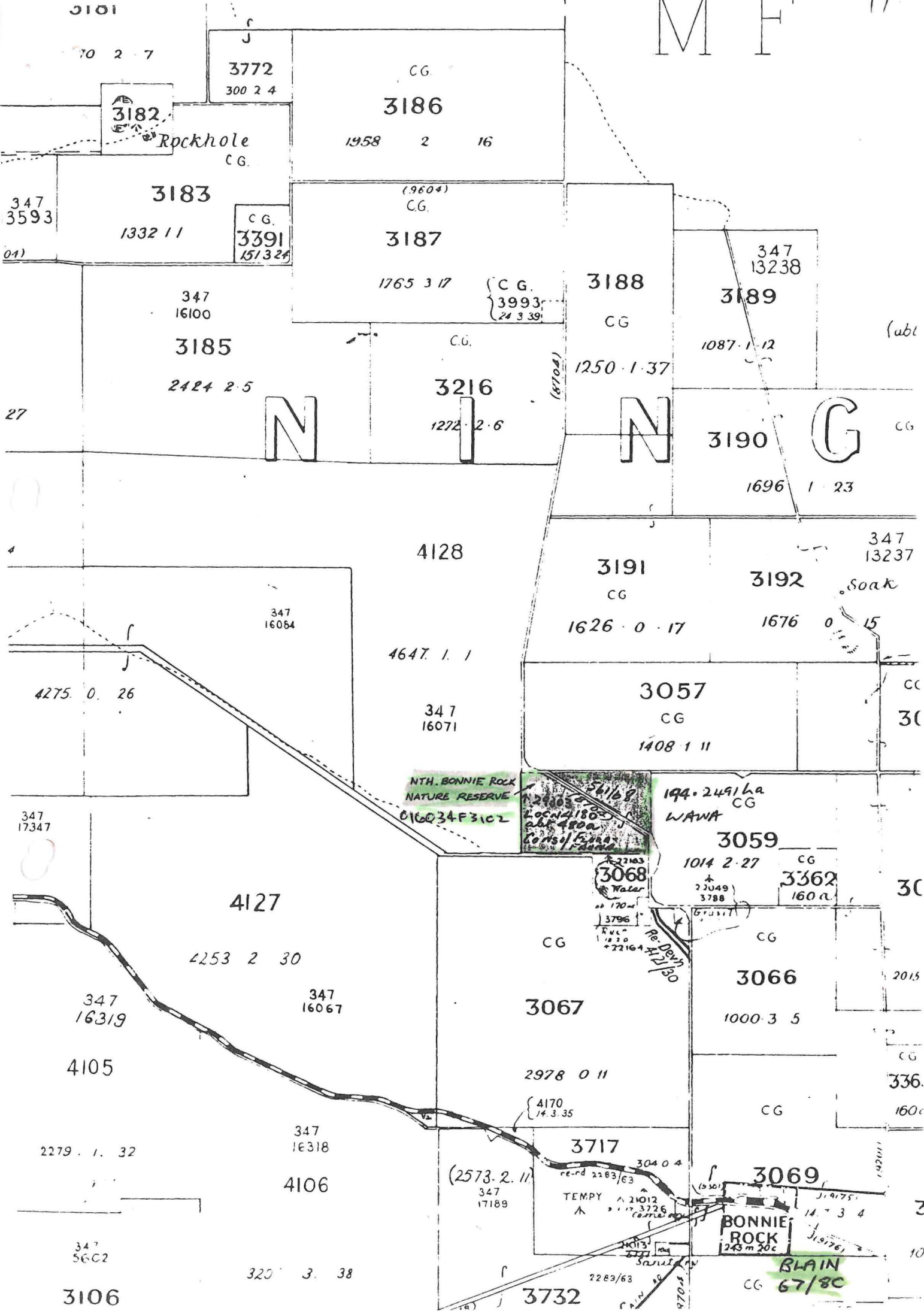
CG

3078

3079

10

M H 11



3101

70 2 7

3772  
300 2 4

CG  
3186  
1958 2 16

3182  
Rockhole  
CG

347  
3593  
01)  
3183  
1332 1 1

CG  
3391  
151324

(9604)  
CG  
3187  
1765 3 17

3188  
CG  
1250 1 37

347  
13238  
3189  
1087 1 12

347  
16100  
3185  
2424 2 5

CG  
3993  
24 3 39

3216  
1272 2 6

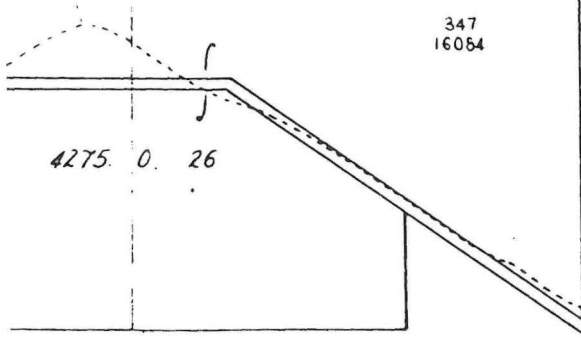
3190  
1696 1 23

N I N G

4128

3191  
CG  
1626 0 17

3192  
1676 0 15  
Soak



347  
16084

4647 1 1

347  
16071

3057  
CG  
1408 1 11

NTH. BONNIE ROCK  
NATURE RESERVE  
016034F3102

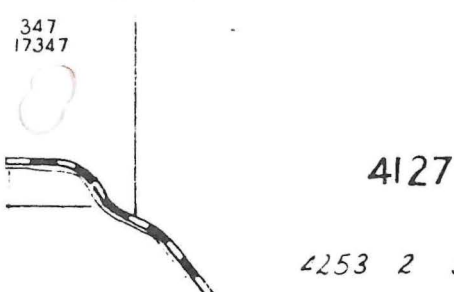
54168  
Loc 4180  
alt 480  
Consil/Edna

194.2491ha  
CG  
WANA

3059

1014 2 27  
CG

3362  
160 a



347  
17347

4127

4253 2 30

347  
16319

347  
16067

3067

2978 0 11

3066

1000 3 5

4105

2279 1 32

347  
16318

4106

3717

(2573 2 11)  
347  
17189

3069

BONNIE  
ROCK  
243 m 20c

BLAIN  
CG  
67/80

347  
56C2

3106

320 3 38

3732

2283/63

970-4